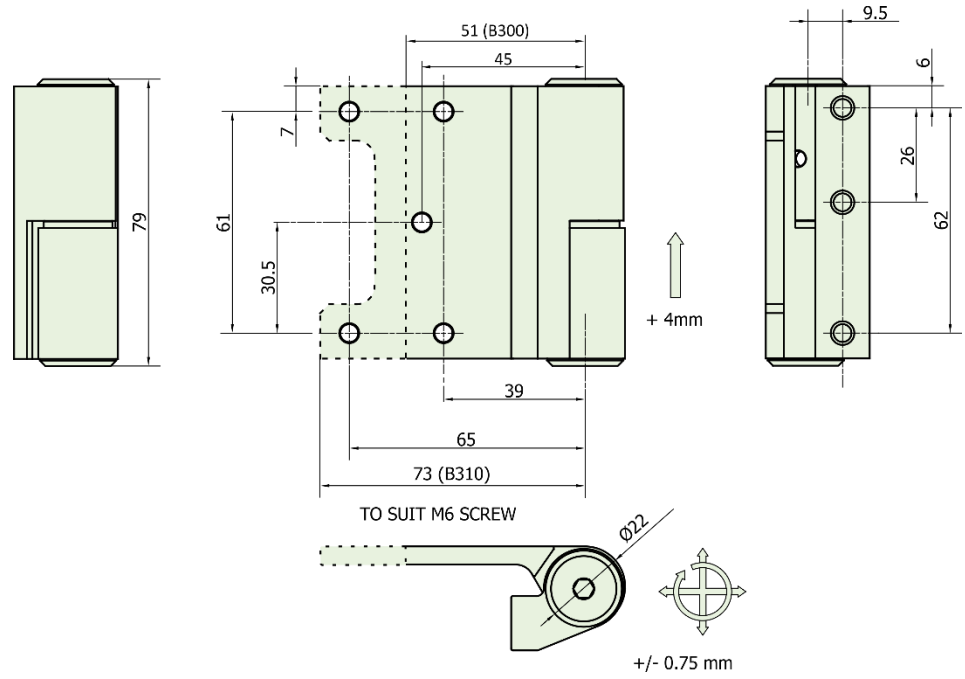




PRODUCT FEATURES & TECHNICAL INFORMATION

- 3D adjustable lift off hinge in solid natural Brass
- High security lift off hinge
- Allows 3-dimensional adjustment once fitted to doors or windows
- High loading and cycle applications
- Lateral and compression adjustment +/- 0.75mm
- Height adjustment + 4mm
- Features a security locking screw with concealed fixings
- B300 Hinges available in left (LH) or right hand (RH)

3D Adjustable Hinge



B310 (RH) Lift off Hinge
Steel Window Fittings/Hinges/B300/BS4100

B300 (RH) Lift off hinge

Dimensions